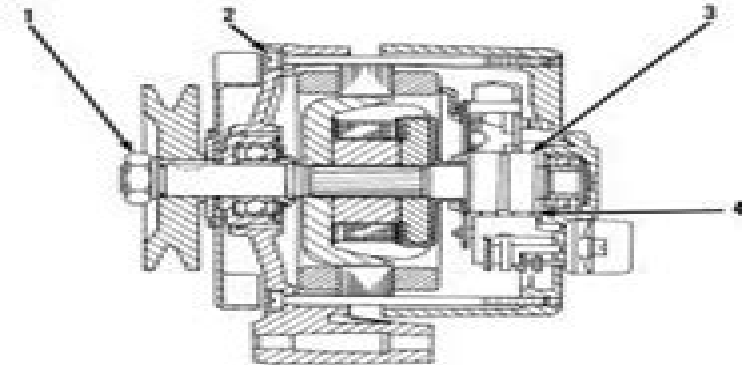


# Specifications

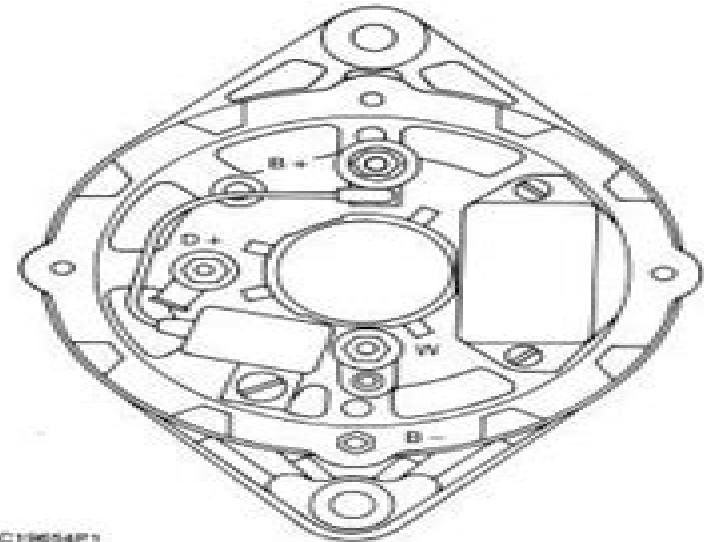
## Alternator

Bosch Alternator Coverage Chart			
Caterpillar Part Number	Model Number	Voltage	Amperage
8C5535	K1	12	32
7T2876	K1	12	55
3E7295	K1	12	55
9X0041	K1	12	90
9W3043	N1	24	52
2Y4212	K1	24	17
2Y8310	K1	24	21



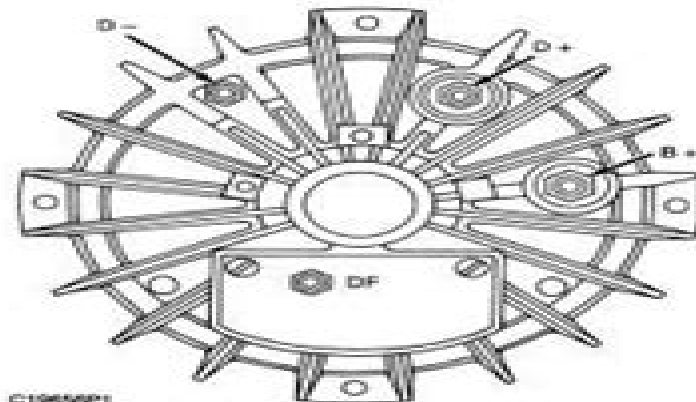
C19654P1

8C5535, 7T2876, 2Y4212 And 2Y8310 Alternators Sectional View



C19654P1

8C5535, 7T2876, 2Y4212 And 2Y8310 Alternators End View



C19655P1

8C5535, 7T2876, 2Y4212 And 2Y8310 Alternators Enclosed End View

# Bosch Alternator Repair Manual

**Chilton Book Company**



## **Bosch Alternator Repair Manual:**

Recognizing the mannerism ways to get this books **Bosch Alternator Repair Manual** is additionally useful. You have remained in right site to start getting this info. acquire the Bosch Alternator Repair Manual link that we come up with the money for here and check out the link.

You could buy guide Bosch Alternator Repair Manual or get it as soon as feasible. You could quickly download this Bosch Alternator Repair Manual after getting deal. So, next you require the ebook swiftly, you can straight get it. Its consequently totally simple and fittingly fats, isnt it? You have to favor to in this ventilate

<https://kmsbrunchlive.gobrunch.com/files/uploaded-files/fetch.php/link%20belt%203400ls%20service%20manual.pdf>

## **Table of Contents Bosch Alternator Repair Manual**

1. Understanding the eBook Bosch Alternator Repair Manual
  - The Rise of Digital Reading Bosch Alternator Repair Manual
  - Advantages of eBooks Over Traditional Books
2. Identifying Bosch Alternator Repair Manual
  - Exploring Different Genres
  - Considering Fiction vs. Non-Fiction
  - Determining Your Reading Goals
3. Choosing the Right eBook Platform
  - Popular eBook Platforms
  - Features to Look for in an Bosch Alternator Repair Manual
  - User-Friendly Interface
4. Exploring eBook Recommendations from Bosch Alternator Repair Manual
  - Personalized Recommendations
  - Bosch Alternator Repair Manual User Reviews and Ratings
  - Bosch Alternator Repair Manual and Bestseller Lists
5. Accessing Bosch Alternator Repair Manual Free and Paid eBooks

- Bosch Alternator Repair Manual Public Domain eBooks
  - Bosch Alternator Repair Manual eBook Subscription Services
  - Bosch Alternator Repair Manual Budget-Friendly Options
6. Navigating Bosch Alternator Repair Manual eBook Formats
    - ePub, PDF, MOBI, and More
    - Bosch Alternator Repair Manual Compatibility with Devices
    - Bosch Alternator Repair Manual Enhanced eBook Features
  7. Enhancing Your Reading Experience
    - Adjustable Fonts and Text Sizes of Bosch Alternator Repair Manual
    - Highlighting and Note-Taking Bosch Alternator Repair Manual
    - Interactive Elements Bosch Alternator Repair Manual
  8. Staying Engaged with Bosch Alternator Repair Manual
    - Joining Online Reading Communities
    - Participating in Virtual Book Clubs
    - Following Authors and Publishers Bosch Alternator Repair Manual
  9. Balancing eBooks and Physical Books Bosch Alternator Repair Manual
    - Benefits of a Digital Library
    - Creating a Diverse Reading Collection Bosch Alternator Repair Manual
  10. Overcoming Reading Challenges
    - Dealing with Digital Eye Strain
    - Minimizing Distractions
    - Managing Screen Time
  11. Cultivating a Reading Routine Bosch Alternator Repair Manual
    - Setting Reading Goals Bosch Alternator Repair Manual
    - Carving Out Dedicated Reading Time
  12. Sourcing Reliable Information of Bosch Alternator Repair Manual
    - Fact-Checking eBook Content of Bosch Alternator Repair Manual
    - Distinguishing Credible Sources
  13. Promoting Lifelong Learning
    - Utilizing eBooks for Skill Development

- Exploring Educational eBooks
14. Embracing eBook Trends
- Integration of Multimedia Elements
  - Interactive and Gamified eBooks

### **Bosch Alternator Repair Manual Introduction**

In the digital age, access to information has become easier than ever before. The ability to download Bosch Alternator Repair Manual has revolutionized the way we consume written content. Whether you are a student looking for course material, an avid reader searching for your next favorite book, or a professional seeking research papers, the option to download Bosch Alternator Repair Manual has opened up a world of possibilities. Downloading Bosch Alternator Repair Manual provides numerous advantages over physical copies of books and documents. Firstly, it is incredibly convenient. Gone are the days of carrying around heavy textbooks or bulky folders filled with papers. With the click of a button, you can gain immediate access to valuable resources on any device. This convenience allows for efficient studying, researching, and reading on the go. Moreover, the cost-effective nature of downloading Bosch Alternator Repair Manual has democratized knowledge. Traditional books and academic journals can be expensive, making it difficult for individuals with limited financial resources to access information. By offering free PDF downloads, publishers and authors are enabling a wider audience to benefit from their work. This inclusivity promotes equal opportunities for learning and personal growth. There are numerous websites and platforms where individuals can download Bosch Alternator Repair Manual. These websites range from academic databases offering research papers and journals to online libraries with an expansive collection of books from various genres. Many authors and publishers also upload their work to specific websites, granting readers access to their content without any charge. These platforms not only provide access to existing literature but also serve as an excellent platform for undiscovered authors to share their work with the world. However, it is essential to be cautious while downloading Bosch Alternator Repair Manual. Some websites may offer pirated or illegally obtained copies of copyrighted material. Engaging in such activities not only violates copyright laws but also undermines the efforts of authors, publishers, and researchers. To ensure ethical downloading, it is advisable to utilize reputable websites that prioritize the legal distribution of content. When downloading Bosch Alternator Repair Manual, users should also consider the potential security risks associated with online platforms. Malicious actors may exploit vulnerabilities in unprotected websites to distribute malware or steal personal information. To protect themselves, individuals should ensure their devices have reliable antivirus software installed and validate the legitimacy of the websites they are downloading from. In conclusion, the ability to download Bosch Alternator Repair Manual has transformed the way we access information. With the convenience, cost-effectiveness, and accessibility it

offers, free PDF downloads have become a popular choice for students, researchers, and book lovers worldwide. However, it is crucial to engage in ethical downloading practices and prioritize personal security when utilizing online platforms. By doing so, individuals can make the most of the vast array of free PDF resources available and embark on a journey of continuous learning and intellectual growth.

### FAQs About Bosch Alternator Repair Manual Books

1. Where can I buy Bosch Alternator Repair Manual books? Bookstores: Physical bookstores like Barnes & Noble, Waterstones, and independent local stores. Online Retailers: Amazon, Book Depository, and various online bookstores offer a wide range of books in physical and digital formats.
2. What are the different book formats available? Hardcover: Sturdy and durable, usually more expensive. Paperback: Cheaper, lighter, and more portable than hardcovers. E-books: Digital books available for e-readers like Kindle or software like Apple Books, Kindle, and Google Play Books.
3. How do I choose a Bosch Alternator Repair Manual book to read? Genres: Consider the genre you enjoy (fiction, non-fiction, mystery, sci-fi, etc.). Recommendations: Ask friends, join book clubs, or explore online reviews and recommendations. Author: If you like a particular author, you might enjoy more of their work.
4. How do I take care of Bosch Alternator Repair Manual books? Storage: Keep them away from direct sunlight and in a dry environment. Handling: Avoid folding pages, use bookmarks, and handle them with clean hands. Cleaning: Gently dust the covers and pages occasionally.
5. Can I borrow books without buying them? Public Libraries: Local libraries offer a wide range of books for borrowing. Book Swaps: Community book exchanges or online platforms where people exchange books.
6. How can I track my reading progress or manage my book collection? Book Tracking Apps: Goodreads, LibraryThing, and Book Catalogue are popular apps for tracking your reading progress and managing book collections. Spreadsheets: You can create your own spreadsheet to track books read, ratings, and other details.
7. What are Bosch Alternator Repair Manual audiobooks, and where can I find them? Audiobooks: Audio recordings of books, perfect for listening while commuting or multitasking. Platforms: Audible, LibriVox, and Google Play Books offer a wide selection of audiobooks.
8. How do I support authors or the book industry? Buy Books: Purchase books from authors or independent bookstores. Reviews: Leave reviews on platforms like Goodreads or Amazon. Promotion: Share your favorite books on social media

or recommend them to friends.

9. Are there book clubs or reading communities I can join? Local Clubs: Check for local book clubs in libraries or community centers. Online Communities: Platforms like Goodreads have virtual book clubs and discussion groups.
10. Can I read Bosch Alternator Repair Manual books for free? Public Domain Books: Many classic books are available for free as they're in the public domain. Free E-books: Some websites offer free e-books legally, like Project Gutenberg or Open Library.

### **Find Bosch Alternator Repair Manual :**

**link belt 3400ls service manual**

fundamentals of accounting application course

*n2 diesel trade theory question papers memorandum*

**2009 audi tt camshaft seal manual**

xtreme paper 0580 43 m j 41

*migatronic mte 150 manual*

*distribution transformer testing guide with diagrams*

**2003 acura tl cold air intake manual**

~~be happy evie bear~~

700 briggs and stratton repair manual

**germany screen series**

*70 of the best ever scrumptious vegan dinner recipes revealed*

**aprilia 125 af1 manual**

network marketing guide

**stand together vbs song lyrics**

### **Bosch Alternator Repair Manual :**

*gent vigilon software how to get fire trade supplies - Jan 28 2022*

web how to get gent vigilon fire alarm software gent system integrator we frequently receive enquiries from customers asking if we can supply them with software for gent vigilon fire alarm systems the question relates to a wider issue regarding open and closed protocol fire alarm systems and what this means



**honeywell gent vigilon plus manual pdf download manualslib** - Apr 11 2023

web page 51 commissioning tool the commissioning tool software is critical for the correct commissioning of the vigilon fire alarm system available to download from gentexpert.co.uk is supported on both 32 bit and 64 bit windows 7 10 professional and enterprise editions of windows

**vigilon compact plus control panel fire alarm control panels** - Jun 01 2022

web vigilon's advanced sensing technology and powerful software processing in the panel quickly identifies real fires pc based commissioning tools allow complex fire plans to be configured advanced loop card technology allows for system status monitoring and diagnostics extended event log using flash memory card

[vigilon plus control panels honeywell building technologies](#) - Sep 04 2022

web description the vigilon plus range of advanced fire detection control panels is applicable for buildings of any size integral en54 4 psu and battery standby for 24 hours 4 loop integral en54 4 psu for 72 hours with external batteries 6 loop

**downloads gentexpert technical forum** - Jul 14 2023

web 4 921 vigilon 24 72 commissioning manual 4 729 vigilon commissioning tool v1 35 4 688 vigilon battery standby loop calculator v3 04 4 054 nano commissioning tool v3 1 0 300 3 825 3260 installation and operating manual 3 571 installation manual for vigilon network node 3 118 minimum software document 2 915 commissioning tool

*vigilon commissioning tool gent by honeywell* - Jun 13 2023

web aug 28 2023 vigilon commissioning tool gent by honeywell by sree ctk sun jun 09 2019 7 20 am any one have latest version of gent vigilon commissioning tool x64 aka gent comm tool kindly share you do not have the required permissions to view the files attached to this post isatronix

*consultants specification guide honeywell building technologies* - May 12 2023

web flash memory card to support commissioning and extended event log vigilon compact literature download cad bim symbols 1 to 4 loop vigilon fire alarm control panel en54 parts 2 4 part nos vigplus 24 np 1 to 4 loop vigilon fire alarm control panel c w 1 loop card no printer vigplus 24 1 4 loop vigilon control panel c w 1 loop

[learn gent vigilon fire alarm system training course udemy](#) - Apr 30 2022

web this gent vigilon fire alarm system training course contains a lot of practical videos from our different projects which will help you easily to understand this system 6 more than 6 hours 33 minutes of video lectures will let you

**file honeywell gent vigilon commissioning tool webp wikimedia** - Nov 06 2022

web sep 9 2022 file honeywell gent vigilon commissioning tool webp from wikimedia commons the free media repository file history file usage on commons file usage on other wikis size of this png preview of this webp file 800 515 pixels other resolutions 320 206 pixels 640 412 pixels 1 066 686 pixels

**gent by honeywell commissioning tool youtube** - Mar 30 2022

web jul 19 2019 gent by honeywell esser by honeywell complete sollution available contact 92 323 3337862

923214747390info iptechpakistan com iptechpakistan gentbyhoneywe

*downloads gent honeywell* - Mar 10 2023

web vigilon compact panel compact 24 n jpeg vigilon panel jpeg vigilon control panel flush surround vig 24 flush jpeg vigilon nano and detectors group image jpeg people security room with vigilon blue keyswitch interface and winmag jpeg people vigilon with psu in hospital jpeg people nano jpeg power supply unit ip67 manual

**products honeywell building technologies** - Jan 08 2023

web honeywell gents vigilon system is the most comprehensive life safety system available in the market today the combination of the powerful software in the control panel and the intelligent loop powered devices delivers a flexible

*gentexpert technical forum* - Dec 07 2022

web 4 920 vigilon 24 72 commissioning manual 4 685 vigilon battery standby loop calculator v3 04 4 669 vigilon

commissioning tool v1 35 4 051 nano commissioning tool v3 1 0 300 3 822 3260 installation and operating manual 3 570

installation manual for vigilon network node 3 117 minimum software document 2 910 commissioning

*downloads gent honeywell* - Aug 15 2023

web downloads for product image downloads select the tab below to locate the image you need for other documentation filter by product category and document type or search by keyword to locate gent specifications design guides approval certificates and more don t see what you re looking for

gent commtool software for vigilon fire alarm panel youtube - Oct 05 2022

web sep 22 2020 gent commtool software latest version supported by all vigilon fire alarm panels the software is up for sale for limited period only until stocks last thank you huge discount available on

*gent commissioning tool 1 2 download commtool exe* - Dec 27 2021

web jul 14 2023 free simplifies commissioning maintenance and documentation of ge products query tool 2008 save time and effort with a single tool to manage all your sql databases driver reset tool free utility developed by dell computer inc

commissioning tool manualzz - Feb 26 2022

web commissioning tool honeywell gent vigilon compact operating instructions manual vigilon 1999 honeywell gent vigilon a3 mimic data and installation sms sentri operating instructions manual voice alarm design guide download pdf advertisement

need help with gent commtool firealarmengineers com - Aug 03 2022

web hi everyone new customer ask me to make checkup for his fire alarm system gent vigilon to make it work again his

system stopped from working for a period of time may be year or more after searching online for a software i found a copy of gent commtool v1 33 sp2 on its official gent internet site but it want a licence key to make this

**honeywell gent viglion en54 generic commissioning instructions manualslib** - Feb 09 2023

web generic commissioning instructions preface this is the second issue of the commissioning instructions for the fire alarm system based on the en54 bs vigilon 4 6 loop panels vigilon compact includes networking panel and

*honeywell gent wikipedia* - Jul 02 2022

web the vigilon commissioning tool for use on gent vigilon control panels the nano commissioning tool for use on gent nano control panels the system 800 commissioning tool for use on gent system 800 control panels

*download quicktest professional unplugged 2nd edition ebook* - Mar 21 2022

web download quicktest professional unplugged 2nd edition ebook for free this ebook contains only the chapters that are added in 2nd edition of quicktest professional

*quicktest professional unplugged 2nd edition paperback* - May 03 2023

web oct 18 2011 qtp unplugged 2nd edition comes with all the updates till qtp 11 in a new chapter and few minor fixes in the code the new chapter covers many features that got

**quicktest professional unplugged rent 9780983675914** - Sep 26 2022

web oct 15 2011 coupon rent quicktest professional unplugged 2nd edition 9780983675914 and save up to 80 on textbook rentals and 90 on used textbooks

**quicktest professional unplugged 2nd edition by tarun lalwani** - Nov 16 2021

web quicktest professional unplugged 2nd edition by tarun lalwani 2011 10 18 on amazon com free shipping on qualifying offers quicktest professional

**hp quicktest professional free download and software reviews** - Feb 17 2022

web download hp quicktest professional for windows to automate functional testing of every major enterprise environment including sap oracle siebel peoplesoft net or java

**quicktest download sourceforge net** - Jan 19 2022

web apr 25 2013 software testing unit testing download quicktest for free a simple c unit testing framework contained within a single header file minimal code is required for

*quicktest professional unplugged 2nd edition semantic scholar* - Apr 21 2022

web the quicktest professional unplugged 2nd edition is universally compatible with any devices to read and will help you to get the most less latency time to download any of

*quicktest professional unplugged 2nd edition semantic scholar* - Dec 30 2022

web this book gives a pragmatic view of using qtp in various situations and is recommended for those aspiring to be experts or advanced users of qtp qtp unplugged 2nd edition

[amazon in customer reviews quicktest professional](#) - Oct 28 2022

web find helpful customer reviews and review ratings for quicktest professional unplugged 2nd edition at amazon com read honest and unbiased product reviews from our users

[quicktest professional unplugged second edition](#) - Sep 07 2023

web jan 19 2022 quicktest professional unplugged second edition by lalwani tarun publication date 2011 topics application software testing computer programs

**quicktest professional unplugged 2nd edition paperback** - Nov 28 2022

web quicktest professional unplugged 2nd edition lalwani tarun amazon in books

*quicktest professional unplugged 2nd edition semantic scholar* - Jun 23 2022

web the quicktest professional unplugged 2nd edition is universally compatible with any devices to read and is available in the digital library an online access to it is set as public

**quicktest professional unplugged 2nd edition guide books** - Aug 06 2023

web terry tarun lalwani has singlehandedly helped thousands of people to expand their knowledge of quicktest professional here is a book the automated testing community

*quicktest professional unplugged 2nd edition secondsale com* - May 23 2022

web oct 18 2011 buy quicktest professional unplugged 2nd edition paperback book by tarun lalwani from as low as 5 95

**quicktest professional unplugged 2nd edition alibris** - Mar 01 2023

web buy quicktest professional unplugged 2nd edition by tarun lalwani online at alibris we have new and used copies available in 1 editions starting at 5 39 shop now

**quicktest professional unplugged 2nd edition paperback** - Jun 04 2023

web buy quicktest professional unplugged 2nd edition by lalwani tarun isbn 9780983675914 from amazon s book store everyday low prices and free delivery on

[quicktest professional unplugged 2nd edition by tarun lalwani](#) - Jul 25 2022

web oct 18 2011 quicktest professional unplugged 2nd edition by tarun lalwani knowledgeinbox paperback poor noticeably used book heavy wear to cover pages

[quicktest professional unplugged 2nd edition upc](#) - Aug 26 2022

web upc 9780983675914 quicktest professional unplugged 2nd edition 8 variations info barcode images gtin registration where to buy online quicktest professional

**quicktest professional unplugged 2nd edition paperback** - Apr 02 2023

web buy quicktest professional unplugged 2nd edition by lalwani tarun online on amazon ae at best prices fast and free shipping free returns cash on delivery available

quicktest professional unplugged second edition skillsoft - Jul 05 2023

web offering a pragmatic view of using quicktest professional qtp in various situations this guide will help test engineers test analysts test consultants and test managers view

**quicktest professional unplugged 2nd edition** - Oct 08 2023

web oct 18 2011 quick test professional unplugged 2nd edition das buch sollte jeder tester haben der mit der hp testsuite qtp bzw utf beginnt zu arbeiten in diesem

quicktest professional unplugged guide books acm digital - Dec 18 2021

web and is recommended for those aspiring to be experts or advanced users of qtp qtp unplugged 2nd edition comes with all the updates till qtp 11 in a new chapter and few

*quicktest professional unplugged 2nd edition book* - Jan 31 2023

web quicktest professional unplugged the first book written by author tarun lalwani and the first ever book on qtp as well has already turned out a bestseller since its publication in

*harriet the spy lesson plan activities pdf uniport edu* - Nov 24 2021

web harriet the spy lesson plans worksheets reviewed by teachers harriet the spy lesson plan scholastic harriet the spy english esl video lesson 19 harriet

**harriet the spy lesson plan activities pdf uniport edu** - Nov 05 2022

web 25 quick mini lessons to teach narrative writing dave leochko 2000 in this collection of engaging mini lessons and companion reproducible pages teacher dave leochko

**harriet the spy lesson plan activities pdf dotnbm** - Aug 02 2022

web a guide for using harriet the spy in the classroom reader s theater scripts improve fluency vocabulary and comprehension grades 6 8 harriet the hamster fairy pet

**harriet the spy lesson plan activities download only** - Apr 10 2023

web ages 8 10 knowing the process by which your child is growing gives you many options to help support and advance development use the below activities to ignite your child s

harriet the spy lesson plan activities media bekonscot co - Sep 22 2021

harriet the spy lesson plan activities book - Jan 07 2023

web this harriet the spy lesson plan activities can be taken as skillfully as picked to act teaching literary elements tara mccarthy 1997 1 character 2 setting 3 plot 4

**results for harriet the spy novel study tpt** - Mar 29 2022

web find harriet the spy book lesson plans and teaching resources quickly find that inspire student learning harriet the spy book lesson plans worksheets reviewed by

**teachingbooks harriet the spy** - Jun 12 2023

web the story of harriet welsch a budding writer who lives in new york spies on her neighbors and classmates and then writes what she sees in her notebook her nanny catherine

**harriet the spy lesson plans worksheets reviewed by teachers** - Feb 08 2023

web spy camp jan 23 2022 as 13 year old ben a student at the cia s academy for future intelligence agents prepares to go to spy summer camp he receives a death threat from

*harriet the spy book lesson plans worksheets reviewed by* - Jan 27 2022

web jul 20 2023 harriet the spy lesson plan activities 2 7 downloaded from uniport edu ng on july 20 2023 by guest over 4 million copies and was awarded the new york times

*harriet the spy lesson plan activities rc spectrallabs* - Dec 26 2021

web harriet the spy lesson plan for 4th grade lesson planet harriet the spy worksheets teaching resources tpt harriet the spy printables classroom activities teacher

**harriet the spy lesson plan activities pdf design bluesquare** - Oct 24 2021

[harriet the spy worksheets and literature unit edhelper](#) - Apr 29 2022

web brien comprehension files harriet the spy lesson plan activities for harriet the spy harriet the spy study guide contains a biography of louis fitzhugh 302 lesson plans

**harriet the spy lesson plan activities pdf** - May 31 2022

web created by thebookumbrella this is a novel study for harriet the spy by louise fitzhugh includes printable and digital versions 44 pages of student work plus an answer key

**harriet the spy study guide gradesaver** - Jul 01 2022

web free harriet the spy study unit worksheets for teachers to print comprehension by chapter vocabulary challenges creative reading response activities and projects tests

**harriet the spy lesson plan scholastic bound to stay bound** - Aug 14 2023

web reading level 3 5 book summary the classic story of a spirited young girl who prepares for a life of espionage by literally

spying on her friends and neighbors however

**harriet the spy lesson plan for 4th grade lesson** - Oct 04 2022

web skillsharriet the spy lesson plan harriet the spy is full of harriet s observations about the people and events around her what might someone else s have each student

*harriet the spy rif org reading is fundamental* - May 11 2023

web harriet the spy lesson plan activities nurse soldier spy oct 06 2022 when frank thompson sees a recruitment poster for the new union army he s ready and willing to

**spy activities for 8 10 year olds scholastic** - Mar 09 2023

web find harriet the spy lesson plans and teaching resources quickly find that inspire student learning harriet the spy lesson plans worksheets reviewed by teachers

**harriet the spy lesson plan activities tom sobol** - Dec 06 2022

web jul 29 2023 harriet the spy lesson plan activities is available in our book collection an online access to it is set as public so you can get it instantly our book servers hosts in

**harriet the spy lesson plan activities gail hennessey pdf** - Sep 03 2022

web harriet the spy study guide contains a biography of louis fitzhugh literature essays a complete e text quiz questions major themes characters and a full summary and

**harriet the spy reed novel studies** - Jul 13 2023

web harriet the spy by louise fitzhugh suggestions and expectations this 86 page curriculum unit can be used in a variety of ways each chapter of the novel study focuses on one or

**harriet the spy lesson plan activities bespoke cityam** - Feb 25 2022

web harriet the spy lesson plan scholastic harriet the spy lesson plan scholastic com harriet the harriet the spy lesson plan harriet the spy lesson plans