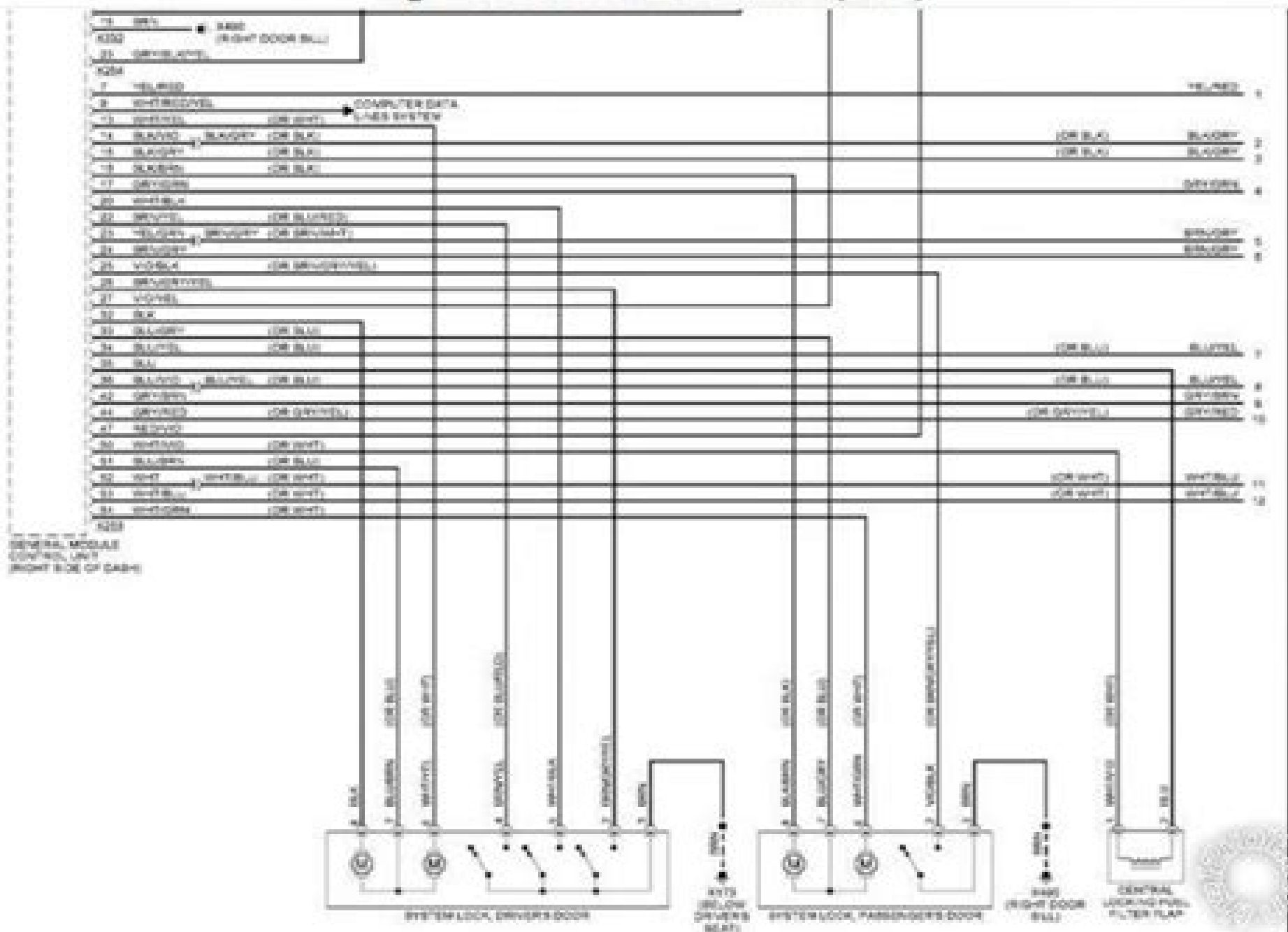


Fig. 44: Power Door Locks Circuit (1 of 2)



# 2004 Bmw X3 Wiring Diagram

**Chilton Automotive Books**



## **2004 Bmw X3 Wiring Diagram:**

## Whispering the Techniques of Language: An Emotional Journey through **2004 Bmw X3 Wiring Diagram**

In a digitally-driven earth where screens reign supreme and immediate interaction drowns out the subtleties of language, the profound strategies and mental subtleties hidden within words usually get unheard. Yet, located within the pages of **2004 Bmw X3 Wiring Diagram** a captivating fictional treasure blinking with natural thoughts, lies a fantastic journey waiting to be undertaken. Written by a skilled wordsmith, that charming opus invites readers on an introspective journey, softly unraveling the veiled truths and profound influence resonating within the material of every word. Within the emotional depths of this poignant review, we can embark upon a sincere exploration of the book's primary styles, dissect its charming writing design, and succumb to the effective resonance it evokes strong within the recesses of readers' hearts.

<https://kmsbrunchlive.gobrunch.com/files/uploaded-files/default.aspx/combinatorial%20and%20global%20optimization.pdf>

### **Table of Contents 2004 Bmw X3 Wiring Diagram**

1. Understanding the eBook 2004 Bmw X3 Wiring Diagram
  - The Rise of Digital Reading 2004 Bmw X3 Wiring Diagram
  - Advantages of eBooks Over Traditional Books
2. Identifying 2004 Bmw X3 Wiring Diagram
  - Exploring Different Genres
  - Considering Fiction vs. Non-Fiction
  - Determining Your Reading Goals
3. Choosing the Right eBook Platform
  - Popular eBook Platforms
  - Features to Look for in a 2004 Bmw X3 Wiring Diagram
  - User-Friendly Interface
4. Exploring eBook Recommendations from 2004 Bmw X3 Wiring Diagram
  - Personalized Recommendations
  - 2004 Bmw X3 Wiring Diagram User Reviews and Ratings

- 2004 Bmw X3 Wiring Diagram and Bestseller Lists
- 5. Accessing 2004 Bmw X3 Wiring Diagram Free and Paid eBooks
  - 2004 Bmw X3 Wiring Diagram Public Domain eBooks
  - 2004 Bmw X3 Wiring Diagram eBook Subscription Services
  - 2004 Bmw X3 Wiring Diagram Budget-Friendly Options
- 6. Navigating 2004 Bmw X3 Wiring Diagram eBook Formats
  - ePub, PDF, MOBI, and More
  - 2004 Bmw X3 Wiring Diagram Compatibility with Devices
  - 2004 Bmw X3 Wiring Diagram Enhanced eBook Features
- 7. Enhancing Your Reading Experience
  - Adjustable Fonts and Text Sizes of 2004 Bmw X3 Wiring Diagram
  - Highlighting and Note-Taking 2004 Bmw X3 Wiring Diagram
  - Interactive Elements 2004 Bmw X3 Wiring Diagram
- 8. Staying Engaged with 2004 Bmw X3 Wiring Diagram
  - Joining Online Reading Communities
  - Participating in Virtual Book Clubs
  - Following Authors and Publishers 2004 Bmw X3 Wiring Diagram
- 9. Balancing eBooks and Physical Books 2004 Bmw X3 Wiring Diagram
  - Benefits of a Digital Library
  - Creating a Diverse Reading Collection 2004 Bmw X3 Wiring Diagram
- 10. Overcoming Reading Challenges
  - Dealing with Digital Eye Strain
  - Minimizing Distractions
  - Managing Screen Time
- 11. Cultivating a Reading Routine 2004 Bmw X3 Wiring Diagram
  - Setting Reading Goals 2004 Bmw X3 Wiring Diagram
  - Carving Out Dedicated Reading Time
- 12. Sourcing Reliable Information of 2004 Bmw X3 Wiring Diagram
  - Fact-Checking eBook Content of 2004 Bmw X3 Wiring Diagram
  - Distinguishing Credible Sources

13. Promoting Lifelong Learning
  - Utilizing eBooks for Skill Development
  - Exploring Educational eBooks
14. Embracing eBook Trends
  - Integration of Multimedia Elements
  - Interactive and Gamified eBooks

### **2004 Bmw X3 Wiring Diagram Introduction**

In this digital age, the convenience of accessing information at our fingertips has become a necessity. Whether its research papers, eBooks, or user manuals, PDF files have become the preferred format for sharing and reading documents. However, the cost associated with purchasing PDF files can sometimes be a barrier for many individuals and organizations. Thankfully, there are numerous websites and platforms that allow users to download free PDF files legally. In this article, we will explore some of the best platforms to download free PDFs. One of the most popular platforms to download free PDF files is Project Gutenberg. This online library offers over 60,000 free eBooks that are in the public domain. From classic literature to historical documents, Project Gutenberg provides a wide range of PDF files that can be downloaded and enjoyed on various devices. The website is user-friendly and allows users to search for specific titles or browse through different categories. Another reliable platform for downloading 2004 Bmw X3 Wiring Diagram free PDF files is Open Library. With its vast collection of over 1 million eBooks, Open Library has something for every reader. The website offers a seamless experience by providing options to borrow or download PDF files. Users simply need to create a free account to access this treasure trove of knowledge. Open Library also allows users to contribute by uploading and sharing their own PDF files, making it a collaborative platform for book enthusiasts. For those interested in academic resources, there are websites dedicated to providing free PDFs of research papers and scientific articles. One such website is Academia.edu, which allows researchers and scholars to share their work with a global audience. Users can download PDF files of research papers, theses, and dissertations covering a wide range of subjects. Academia.edu also provides a platform for discussions and networking within the academic community. When it comes to downloading 2004 Bmw X3 Wiring Diagram free PDF files of magazines, brochures, and catalogs, Issuu is a popular choice. This digital publishing platform hosts a vast collection of publications from around the world. Users can search for specific titles or explore various categories and genres. Issuu offers a seamless reading experience with its user-friendly interface and allows users to download PDF files for offline reading. Apart from dedicated platforms, search engines also play a crucial role in finding free PDF files. Google, for instance, has an advanced search feature that allows users to filter results by file type. By specifying the file type as "PDF," users can find websites that

offer free PDF downloads on a specific topic. While downloading 2004 Bmw X3 Wiring Diagram free PDF files is convenient, its important to note that copyright laws must be respected. Always ensure that the PDF files you download are legally available for free. Many authors and publishers voluntarily provide free PDF versions of their work, but its essential to be cautious and verify the authenticity of the source before downloading 2004 Bmw X3 Wiring Diagram. In conclusion, the internet offers numerous platforms and websites that allow users to download free PDF files legally. Whether its classic literature, research papers, or magazines, there is something for everyone. The platforms mentioned in this article, such as Project Gutenberg, Open Library, Academia.edu, and Issuu, provide access to a vast collection of PDF files. However, users should always be cautious and verify the legality of the source before downloading 2004 Bmw X3 Wiring Diagram any PDF files. With these platforms, the world of PDF downloads is just a click away.

### FAQs About 2004 Bmw X3 Wiring Diagram Books

1. Where can I buy 2004 Bmw X3 Wiring Diagram books? Bookstores: Physical bookstores like Barnes & Noble, Waterstones, and independent local stores. Online Retailers: Amazon, Book Depository, and various online bookstores offer a wide range of books in physical and digital formats.
2. What are the different book formats available? Hardcover: Sturdy and durable, usually more expensive. Paperback: Cheaper, lighter, and more portable than hardcovers. E-books: Digital books available for e-readers like Kindle or software like Apple Books, Kindle, and Google Play Books.
3. How do I choose a 2004 Bmw X3 Wiring Diagram book to read? Genres: Consider the genre you enjoy (fiction, non-fiction, mystery, sci-fi, etc.). Recommendations: Ask friends, join book clubs, or explore online reviews and recommendations. Author: If you like a particular author, you might enjoy more of their work.
4. How do I take care of 2004 Bmw X3 Wiring Diagram books? Storage: Keep them away from direct sunlight and in a dry environment. Handling: Avoid folding pages, use bookmarks, and handle them with clean hands. Cleaning: Gently dust the covers and pages occasionally.
5. Can I borrow books without buying them? Public Libraries: Local libraries offer a wide range of books for borrowing. Book Swaps: Community book exchanges or online platforms where people exchange books.
6. How can I track my reading progress or manage my book collection? Book Tracking Apps: Goodreads, LibraryThing, and Book Catalogue are popular apps for tracking your reading progress and managing book collections. Spreadsheets: You can create your own spreadsheet to track books read, ratings, and other details.

7. What are 2004 Bmw X3 Wiring Diagram audiobooks, and where can I find them? Audiobooks: Audio recordings of books, perfect for listening while commuting or multitasking. Platforms: Audible, LibriVox, and Google Play Books offer a wide selection of audiobooks.
8. How do I support authors or the book industry? Buy Books: Purchase books from authors or independent bookstores. Reviews: Leave reviews on platforms like Goodreads or Amazon. Promotion: Share your favorite books on social media or recommend them to friends.
9. Are there book clubs or reading communities I can join? Local Clubs: Check for local book clubs in libraries or community centers. Online Communities: Platforms like Goodreads have virtual book clubs and discussion groups.
10. Can I read 2004 Bmw X3 Wiring Diagram books for free? Public Domain Books: Many classic books are available for free as they're in the public domain. Free E-books: Some websites offer free e-books legally, like Project Gutenberg or Open Library.

**Find 2004 Bmw X3 Wiring Diagram :**

[combinatorial and global optimization](#)

[colour meditations](#)

**colorful lateral thinking puzzles**

~~columbus shakespeare and the interpretation of the new world~~

**combat aircraft of wwii 1944**

*colorado ghost towns sites*

color me feminist

[colony of rhode island](#)

**combination cookery a la carte**

**colorado history**

[color smart how to use color to enhance your business and personal life](#)

[colorful quilts](#)

columbia river walleye ii

**colorful chameleons**

**combat a military action game**



**2004 Bmw X3 Wiring Diagram :**

**particle reinforcement an overview sciencedirect topics** - Oct 14 2022

web particle reinforcement in composites is less effective in strengthening than fiber reinforcement particulate reinforced composites mainly achieve gains in stiffness but they also can achieve increases in strength and toughness in any case the improvements are lower than would be achieved in a fiber reinforced composite

*ae 15 3 review and reinforcement answers 15 16 pdf google* - Aug 24 2023

web sign in ae 15 3 review and reinforcement answers 15 16 pdf google drive sign in

**chapter 15 3 review and reinforcement** - Jun 22 2023

web chapter 15 3 review and reinforcement home back to chemistry scanned assignments

*composite materials using materials aqa gcse chemistry* - May 21 2023

web the reinforcement the matrix which binds the reinforcement together the table shows some examples of composite materials it is often possible to separate the reinforcement from the matrix

15 3 regression reciprocal transformation youtube - Feb 06 2022

web a1 mutually exclusive vs independent events youtu be hsoulvk9 qca2 conditional probability formula for independent events youtu be j4gmsayw5s

*optimization of molecules via deep reinforcement learning* - Apr 20 2023

web jul 24 2019 inspired by problems faced during medicinal chemistry lead optimization we extend our model with multi objective reinforcement learning which maximizes drug likeness while maintaining similarity

**14 3 re and reinforcement chemistry answers copy** - Aug 12 2022

web reinforcement learning and stochastic optimization is the first book to provide a balanced treatment of the different methods for modeling and solving sequential decision problems following the style used by most books on machine learning optimization and simulation

**deep reinforcement learning of transition states physical chemistry** - Jan 17 2023

web abstract combining reinforcement learning rl and molecular dynamics md simulations we propose a machine learning approach called rl to automatically unravel chemical reaction mechanisms

**filler and rubber reinforcement springerlink** - Mar 07 2022

web apr 2 2020 this chapter presents the most recent elucidations related to the reinforcement mechanism keywords reinforcing effect rubber compounding bound rubber structuring of nanofiller hydrodynamic volume effect download chapter pdf 1 reinforcing effect

**a review of reinforcement learning in chemistry rsc publishing** - Mar 19 2023

web in this review we present an accessible summary of the theory behind reinforcement learning and its common extension deep reinforcement learning tailored specifically to chemistry researchers we also review the applications of reinforcement learning which already exist within the world of chemistry and consider the future direction of [reinforcement material an overview sciencedirect topics](#) - Nov 15 2022

web reinforcement materials usually add rigidity and greatly impede crack propagation in particular they enforce the mechanical properties of the matrix and in most cases are harder stronger and stiffer than the matrix the reinforcement can be divided into four basic categories fibers particulates fillers and flakes

*reinforcement chemistry libretxts* - Jul 11 2022

web reinforcement is the most important part of operant conditioning elicit to call forth or draw out examples if every time polly the bird speaks his owner gives him a cracker the bird is going to want to speak again to earn another cracker

[reinforced plastic an overview sciencedirect topics](#) - May 09 2022

web figure 15 3 and tables 15 1 to 15 3 provide information on properties processes and characteristics of rps figure 15 3 modulus of different materials can be related to their specific gravities with rps providing an interesting graph

*reinforcement of rubber visualization of nanofiller and the* - Jun 10 2022

web this book presents the most recent description of rubber reinforcement focusing on the network like structure formation of nanofiller in the rubber matrix under the presence of bound rubber the resultant filler network is visualized by

[a deep reinforcement learning approach for chemical production](#) - Sep 13 2022

web oct 4 2020 the speed and flexibility of the reinforcement learning system is promising for achieving real time optimization of a scheduling system but there is reason to pursue integration of data driven deep reinforcement learning methods and model based mathematical optimization approaches

**chemistry chapter 15 concentration and nature of solutions quizlet** - Jul 23 2023

web chemistry chapter 15 concentration and nature of solutions flashcards quizlet 15 1 and 15 2 review and reinforcement learn with flashcards games and more for free 15 1 and 15 2 review and reinforcement learn with flashcards games and more for free hello quizlet

**chemistry 15 1 review and reinforcement download only** - Feb 18 2023

web chemistry 15 1 review and reinforcement review and reinforcement university of california san diego mar 22 2023 web review and reinforcement ucpath training review and reinforcement videos on demand use videos on demand to reinforce your knowledge after you complete the required training courses these are

[recovery of epoxy thermosets and their composites sciencedirect](#) - Apr 08 2022

web apr 1 2023 cheng et al 138 used tio 2 and cr 2 o 3 to achieve epoxy thermosets degradation within 15 minutes at 500 c

and the single filament tensile strength of recycled cf was 87 of that of original cf molten metal salt is a novel pyrolysis medium which can further reduce the pyrolysis temperature to obtain high performance recycled fibers

[a force of 15 n acts separately on two bodies of masses 3 kg and -](#) Jan 05 2022

web oct 10 2018 force f 15 n two objects of mass 3 kg and 5 kg to find the ratio of the accelerations produces in the two cases solution we know acceleration is given by for mass 3 kg for mass 5 kg therefore the ratio is 5 3 learn more force brainly in question 7345040

**reinforced concrete wikipedia** - Dec 16 2022

web tensile strength  $\sigma_t$  stronger than concrete reinforced concrete also called ferroconcrete is a composite material in which concrete s relatively low tensile strength and ductility are compensated for by the inclusion of reinforcement having higher tensile strength or ductility

**krishnamurti the taormina seclusion 1912** - Dec 17 2021

web krishnamurti the taormina seclusion 1912 krishnamurti the taormina seclusion 1912 2 downloaded from old restorativejustice org on 2022 05 26 by guest isolation but the

**the taormina seclusion 1912 krishnamurti bookstore** - Oct 07 2023

web the taormina seclusion 1912 12 95 usd a rare collection of eyewitness accounts letters and other documents that chronicle the esoteric preparation of the young

**krishnamurti the taormina seclusion 1912 copy etherpad arts ac** - Nov 27 2022

web krishnamurti the taormina seclusion 1912 5 5 krishnamurti 1927 1931 psychology press first published in 2007 this was the first significant study of the incorporation of

[krishnamurti taormina seclusion 1912 academia edu](#) - Jul 24 2022

web view academics in krishnamurti taormina seclusion 1912 on academia edu

**krishnamurti the taormina seclusion 1912 alibris** - Feb 28 2023

web buy krishnamurti the taormina seclusion 1912 by joseph e ross online at alibris we have new and used copies available in 0 edition starting at 61 64 shop now

**sunset timelapse ancient theatre of taormina march 10th 2021** - May 22 2022

web short clip by dasalpisunset timelapse from the ancient theatre of taormina10th march 2021the ancient theatre the teatro greco or greek theatre with a di

[krishnamurti taormina seclusion 1912 first edition abebooks](#) - Jan 18 2022

web krishnamurti the taormina seclusion 1912 by ross joseph e and a great selection of related books art and collectibles available now at abebooks com

**krishnamurti taormina seclusion 1912 books abebooks** - Jan 30 2023

web krishnamurti the taormina seclusion 1912 by ross joseph e and a great selection of related books art and collectibles available now at abebooks com

*ტუტანჰამონი tut* - Mar 20 2022

web სერიალი მოგვითხრობს ეგვიპტის ისტორიაში ყველაზე ახალგაზრდა

*Συναρπάζει τους Τούρκους ταινία για τα Σεπτεμβριανά ΤΟ ΒΗΜΑ* - Feb 16 2022

web feb 18 2009 ΚΩΝΣΤΑΝΤΙΝΟΥΠΟΛΗ Σπάει τα ταμεία στην Τουρκία μία κινηματογραφική ταινία για τα

**krishnamurti the taormina seclusion 1912 goodreads** - Apr 01 2023

web in 1912 four months seclusion in taormina sicily with annie besant and c w leadbeater prepared krishnamurti and three companions for their initiations letters in

**krishnamurti the taormina seclusion 1912 open library** - Sep 06 2023

web oct 11 2001 krishnamurti the taormina seclusion 1912 by joseph e ross october 11 2001 xlibris corporation edition paperback in english

**krishnamurti the taormina seclusion 1912 softcover abebooks** - Jun 03 2023

web the taormina seclusion 1912 by ross is a rare book of eye witness accounts of krishnamurti s three months training in the esoteric arts by mentors leadbeater

**the ancient theatre of taormina excursions sicily** - Apr 20 2022

web sep 21 2018 the ancient theatre of taormina is a greek theatre originally built by romans in the third century bc since it reminds more a greek theatre rather than

**krishnamurti the taormina seclusion 1912 jiddu krishnamurti** - Sep 25 2022

web this krishnamurti the taormina seclusion 1912 but stop taking place in harmful downloads rather than enjoying a good ebook afterward a cup of coffee in the

*krishnamurti the taormina seclusion 1912 paperback* - Oct 27 2022

web krishnamurti the taormina seclusion 1912 ross joseph e on amazon com au free shipping on eligible orders krishnamurti the taormina seclusion 1912

krishnamurti the taormina seclusion 1912 ross joseph e - Jul 04 2023

web jun 1 2004 the taormina seclusion 1912 by ross is a rare book of eye witness accounts of krishnamurti s three months training in the esoteric arts by mentors

krishnamurti the taormina seclusion 1912 paperback - Dec 29 2022

web amazon in buy krishnamurti the taormina seclusion 1912 book online at best prices in india on amazon in read

krishnamurti the taormina seclusion 1912 book

**krishnamurti the taormina seclusion 1912 krotona archive** - Aug 05 2023

web krishnamurti the taormina seclusion 1912 long summary jiddu krishnamurti was a leading twentieth century mystic and teacher from his early private and public

**krishnamurti the taormina seclusion 1912 michael mendizza** - Aug 25 2022

web krishnamurti the taormina seclusion 1912 krishnamurti the taormina seclusion 1912 2 downloaded from donate pfi org on 2023 03 07 by guest appreciate it a vision of the

*krishnamurti the taormina seclusion 1912 waptac org* - Jun 22 2022

web krishnamurti the taormina seclusion 1912 curriculum as meditative inquiry a kumar 2013 05 01 2013 outstanding academic title by choice review kumar asks in this

krishnamurti the taormina seclusion 1912 softcover abebooks - May 02 2023

web in 1912 four months seclusion in taormina sicily with annie besant and c w leadbeater prepared krishnamurti and three companions for their initiations letters in

*40 lessons to get children thinking booktopia* - Dec 26 2021

web 40 lessons to get children thinking philosophical thought adventures across the curriculum worley peter 9781472916082 books amazon ca

**40 lessons to get children thinking goodreads** - Feb 08 2023

web 40 lessons to get children thinking by peter worley 2015 bloomsbury publishing plc edition in english 40 lessons to get children thinking 2015 edition open library it

**40 lessons to get children thinking pdf thought reason** - Aug 02 2022

web 40 lessons to get children thinking philosophical thought adventures across the curriculum peter worley amazon in books

40 lessons to get children thinking philosophical thought - Aug 14 2023

web 40 lessons to get children thinking is an excellent resource to pupils educators and philosophy enthusiasts across the globe the lessons are superbly researched excellently written and extremely interactive a must for all schools

**book review 40 lessons to get children thinking philosophical** - Jan 27 2022

web 40 lessons to get children thinking philosophical thought adventures across the curriculum peter worley author paperback 19 99 17 99 ebook pdf 17 99 16 19

**40 lessons to get children thinking philosophical thought** - Oct 04 2022

web 1 the ghost thinking about ghosts time and poetry 1 2 here s a thought thinking about thought 4 key facilitation tool

provoke anonymity putting on the ring of gyges 6

[40 lessons to get children thinking philosophical thought](#) - Oct 24 2021

*40 lessons to get children thinking bloomsbury publishing* - Apr 10 2023

web 40 lessons to get children thinking philosophical thought adventures across the curriculum by peter worley goodreads author really liked it 4 00 rating details 4

**40 lessons philosophy foundation** - Jun 12 2023

web 40 lessons to get children thinking philosophical thought adventures across the curriculum peter worley author paperback 26 95 24 25 ebook pdf 24 25

**40 lessons to get children thinking amazon com au** - Apr 29 2022

web the philosophy shop ideas activities and questions to get people young and old thinking philosophically

[40 lessons to get children thinking philosophical](#) - Jul 13 2023

web 40 lessons to get children thinking is an excellent resource to pupils educators and philosophy enthusiasts across the globe the lessons are superbly researched

[40 lessons to get children thinking open library](#) - Dec 06 2022

web 40 lessons to get children thinking philosophical thought adventures across peter worley google books this is the type of book many teachers will keep on their desk

**40 lessons to get children thinking philosophical thought** - May 11 2023

web 40 lessons to get children thinking this is the type of book many teachers will keep on their desk and use the exercises very regularly for me it is up there with geoff petty s

[40 lessons to get children thinking philosophical thought](#) - Nov 05 2022

web may 2 2002 2015 40 lessons to get children thinking philosophical thought adventures across the curriculum new york bloomsbury publishing periodicals

**40 lessons to get children thinking philosophical thought** - Mar 29 2022

web dec 3 2016 download citation book review 40 lessons to get children thinking philosophical thought adventures across the curriculum peter worley s latest book

[40 lessons to get children thinking philosophy foundation](#) - Mar 09 2023

web buy 40 lessons to get children thinking philosophical thought adventures across the curriculum by worley peter isbn 9781472916099 from amazon s book store

[philosophy for children stanford encyclopedia of philosophy](#) - Sep 03 2022

web 40 lessons to get children thinking philosophical thought adventures across the curriculum by peter worley 2015 10 22  
on amazon com free shipping on

40 lessons to get children thinking philosophical thought - Jan 07 2023

web 40 lessons to get children thinking philosophical thought adventures across the curriculum free download as pdf file pdf  
text file txt or read online for free 40

*the philosophy foundation shop* - Feb 25 2022

web nov 18 2015 booktopia has 40 lessons to get children thinking philosophical thought adventures across the curriculum  
by peter worley buy a discounted hardcover

**40 lessons to get children thinking bloomsbury publishing** - Nov 24 2021

40 lessons to get children thinking philosophical thought - Jul 01 2022

web 40 lessons to get children thinking worley if machine peter on amazon com au free shipping on eligible orders 40 lessons  
to get children thinking 40 lessons

*40 lessons to get children thinking philosophical thought* - May 31 2022

web 40 lessons to get children thinking philosophical thought adventures across the curriculum by peter worley 2015  
bloomsbury london isbn 978 1 4729 1608 2 peter