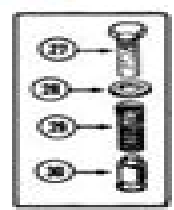
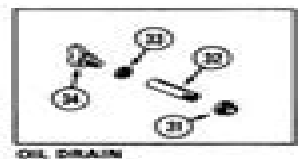
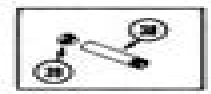
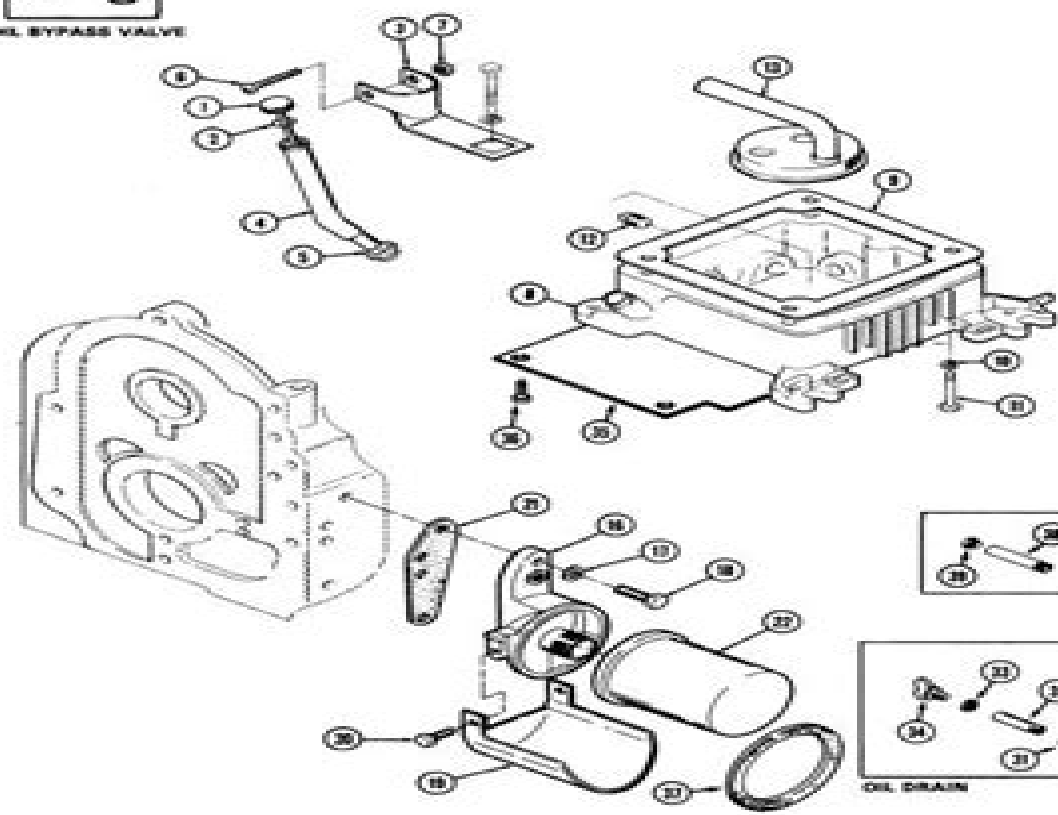
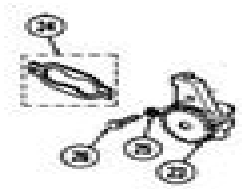


### OIL BASE, PUMP, FILTER, AND FILLER TUBE

#### INDEX



OIL BYPASS VALVE



OIL DRAIN

# Ingersoll 4020 Repair Manual

**F Rizvi**



## **Ingersoll 4020 Repair Manual:**

Fuel your quest for knowledge with is thought-provoking masterpiece, **Ingersoll 4020 Repair Manual** . This educational ebook, conveniently sized in PDF ( PDF Size: \*), is a gateway to personal growth and intellectual stimulation. Immerse yourself in the enriching content curated to cater to every eager mind. Download now and embark on a learning journey that promises to expand your horizons. .

[https://kmsbrunchlive.gobrunch.com/public/virtual-library/Download\\_PDFS/cabal%20of%20zealots.pdf](https://kmsbrunchlive.gobrunch.com/public/virtual-library/Download_PDFS/cabal%20of%20zealots.pdf)

## **Table of Contents Ingersoll 4020 Repair Manual**

1. Understanding the eBook Ingersoll 4020 Repair Manual
  - The Rise of Digital Reading Ingersoll 4020 Repair Manual
  - Advantages of eBooks Over Traditional Books
2. Identifying Ingersoll 4020 Repair Manual
  - Exploring Different Genres
  - Considering Fiction vs. Non-Fiction
  - Determining Your Reading Goals
3. Choosing the Right eBook Platform
  - Popular eBook Platforms
  - Features to Look for in an Ingersoll 4020 Repair Manual
  - User-Friendly Interface
4. Exploring eBook Recommendations from Ingersoll 4020 Repair Manual
  - Personalized Recommendations
  - Ingersoll 4020 Repair Manual User Reviews and Ratings
  - Ingersoll 4020 Repair Manual and Bestseller Lists
5. Accessing Ingersoll 4020 Repair Manual Free and Paid eBooks
  - Ingersoll 4020 Repair Manual Public Domain eBooks
  - Ingersoll 4020 Repair Manual eBook Subscription Services
  - Ingersoll 4020 Repair Manual Budget-Friendly Options

6. Navigating Ingersoll 4020 Repair Manual eBook Formats
  - ePub, PDF, MOBI, and More
  - Ingersoll 4020 Repair Manual Compatibility with Devices
  - Ingersoll 4020 Repair Manual Enhanced eBook Features
7. Enhancing Your Reading Experience
  - Adjustable Fonts and Text Sizes of Ingersoll 4020 Repair Manual
  - Highlighting and Note-Taking Ingersoll 4020 Repair Manual
  - Interactive Elements Ingersoll 4020 Repair Manual
8. Staying Engaged with Ingersoll 4020 Repair Manual
  - Joining Online Reading Communities
  - Participating in Virtual Book Clubs
  - Following Authors and Publishers Ingersoll 4020 Repair Manual
9. Balancing eBooks and Physical Books Ingersoll 4020 Repair Manual
  - Benefits of a Digital Library
  - Creating a Diverse Reading Collection Ingersoll 4020 Repair Manual
10. Overcoming Reading Challenges
  - Dealing with Digital Eye Strain
  - Minimizing Distractions
  - Managing Screen Time
11. Cultivating a Reading Routine Ingersoll 4020 Repair Manual
  - Setting Reading Goals Ingersoll 4020 Repair Manual
  - Carving Out Dedicated Reading Time
12. Sourcing Reliable Information of Ingersoll 4020 Repair Manual
  - Fact-Checking eBook Content of Ingersoll 4020 Repair Manual
  - Distinguishing Credible Sources
13. Promoting Lifelong Learning
  - Utilizing eBooks for Skill Development
  - Exploring Educational eBooks
14. Embracing eBook Trends
  - Integration of Multimedia Elements

- Interactive and Gamified eBooks

### **Ingersoll 4020 Repair Manual Introduction**

In the digital age, access to information has become easier than ever before. The ability to download Ingersoll 4020 Repair Manual has revolutionized the way we consume written content. Whether you are a student looking for course material, an avid reader searching for your next favorite book, or a professional seeking research papers, the option to download Ingersoll 4020 Repair Manual has opened up a world of possibilities. Downloading Ingersoll 4020 Repair Manual provides numerous advantages over physical copies of books and documents. Firstly, it is incredibly convenient. Gone are the days of carrying around heavy textbooks or bulky folders filled with papers. With the click of a button, you can gain immediate access to valuable resources on any device. This convenience allows for efficient studying, researching, and reading on the go. Moreover, the cost-effective nature of downloading Ingersoll 4020 Repair Manual has democratized knowledge. Traditional books and academic journals can be expensive, making it difficult for individuals with limited financial resources to access information. By offering free PDF downloads, publishers and authors are enabling a wider audience to benefit from their work. This inclusivity promotes equal opportunities for learning and personal growth. There are numerous websites and platforms where individuals can download Ingersoll 4020 Repair Manual. These websites range from academic databases offering research papers and journals to online libraries with an expansive collection of books from various genres. Many authors and publishers also upload their work to specific websites, granting readers access to their content without any charge. These platforms not only provide access to existing literature but also serve as an excellent platform for undiscovered authors to share their work with the world. However, it is essential to be cautious while downloading Ingersoll 4020 Repair Manual. Some websites may offer pirated or illegally obtained copies of copyrighted material. Engaging in such activities not only violates copyright laws but also undermines the efforts of authors, publishers, and researchers. To ensure ethical downloading, it is advisable to utilize reputable websites that prioritize the legal distribution of content. When downloading Ingersoll 4020 Repair Manual, users should also consider the potential security risks associated with online platforms. Malicious actors may exploit vulnerabilities in unprotected websites to distribute malware or steal personal information. To protect themselves, individuals should ensure their devices have reliable antivirus software installed and validate the legitimacy of the websites they are downloading from. In conclusion, the ability to download Ingersoll 4020 Repair Manual has transformed the way we access information. With the convenience, cost-effectiveness, and accessibility it offers, free PDF downloads have become a popular choice for students, researchers, and book lovers worldwide. However, it is crucial to engage in ethical downloading practices and prioritize personal security when utilizing online platforms. By doing so, individuals can make the most of the vast array of free PDF resources available and embark on a journey of

continuous learning and intellectual growth.

## **FAQs About Ingersoll 4020 Repair Manual Books**

**What is a Ingersoll 4020 Repair Manual PDF?** A PDF (Portable Document Format) is a file format developed by Adobe that preserves the layout and formatting of a document, regardless of the software, hardware, or operating system used to view or print it. **How do I create a Ingersoll 4020 Repair Manual PDF?** There are several ways to create a PDF: Use software like Adobe Acrobat, Microsoft Word, or Google Docs, which often have built-in PDF creation tools. Print to PDF: Many applications and operating systems have a "Print to PDF" option that allows you to save a document as a PDF file instead of printing it on paper. Online converters: There are various online tools that can convert different file types to PDF. **How do I edit a Ingersoll 4020 Repair Manual PDF?** Editing a PDF can be done with software like Adobe Acrobat, which allows direct editing of text, images, and other elements within the PDF. Some free tools, like PDFescape or Smallpdf, also offer basic editing capabilities. **How do I convert a Ingersoll 4020 Repair Manual PDF to another file format?** There are multiple ways to convert a PDF to another format: Use online converters like Smallpdf, Zamzar, or Adobe Acrobats export feature to convert PDFs to formats like Word, Excel, JPEG, etc. Software like Adobe Acrobat, Microsoft Word, or other PDF editors may have options to export or save PDFs in different formats. **How do I password-protect a Ingersoll 4020 Repair Manual PDF?** Most PDF editing software allows you to add password protection. In Adobe Acrobat, for instance, you can go to "File" -> "Properties" -> "Security" to set a password to restrict access or editing capabilities. Are there any free alternatives to Adobe Acrobat for working with PDFs? Yes, there are many free alternatives for working with PDFs, such as: LibreOffice: Offers PDF editing features. PDFsam: Allows splitting, merging, and editing PDFs. Foxit Reader: Provides basic PDF viewing and editing capabilities. How do I compress a PDF file? You can use online tools like Smallpdf, ILovePDF, or desktop software like Adobe Acrobat to compress PDF files without significant quality loss. Compression reduces the file size, making it easier to share and download. Can I fill out forms in a PDF file? Yes, most PDF viewers/editors like Adobe Acrobat, Preview (on Mac), or various online tools allow you to fill out forms in PDF files by selecting text fields and entering information. Are there any restrictions when working with PDFs? Some PDFs might have restrictions set by their creator, such as password protection, editing restrictions, or print restrictions. Breaking these restrictions might require specific software or tools, which may or may not be legal depending on the circumstances and local laws.

**Find Ingersoll 4020 Repair Manual :**

*cabal of zealots*

**byen og verden roman i hundrede tekster**

byzantine coins

**caffeine blues wake up to the hidden dangers of americas 1 drug**

*cad/cam theory and practice solutions manual mechanical engineering*

**cable car murder**

~~caeti of texas and neighboring states~~

~~cabinet 13 histories of the future~~

~~cabin reminiscence and diversions~~

~~c2 compiler concepts~~

*cabalistic freemasonry*

**byron bay beauty**

**calculus connections mathematics for middle school teachers**

*calculus laboratories with maple a tool not an oracle*

c for engineers second edition

**Ingersoll 4020 Repair Manual :**

**ford focus cooling fan wiring diagram diagram circuit** - Mar 23 2022

web sep 4 2022 the wiring diagram that comes with the focus provides detailed diagrams of the various components in the cooling fan system including the blower motor radiator cooling fan and temperature control switch with these diagrams

mechanics are able to trace and troubleshoot the wiring without having to disassemble the fan itself

**ford motorcraft ac and cooling system components** - May 25 2022

web engine cooling go with ford cooling products for long lasting and reliable quality designed to fit ford and lincoln vehicles our ac components are tested to meet stringent ford engineering standards helping to make them tough performers

**2004 ford focus 2 3 liter how to replace coolant temperature youtube** - Aug 08 2023

web feb 1 2017 about press copyright contact us creators advertise developers terms privacy policy safety how youtube works test new features nfl sunday ticket press copyright

2004 ford focus cooling fans freeautomechanic - Jan 01 2023



web author c 2004 spx vftis subject automotive wiring schematic keywords lbc dwg tif pdf on 11 18 2004 2 34 00 pm created date 11 18 2004 2 34 01 pm

*ford focus coolant diagram fixya* - Sep 28 2022

web aug 17 2010 1 a tank of the hydraulic booster of a steering 2 a plug mouth oil jellied 3 a tank of a working liquid of a braking system and clutch 4 the assembly block of safety locks and the relay 5 an air filter 6 a windshield washer reservoir 7 the accumulator battery 8 the identification tablet 9 a measuring instrument of

ford focus cooling system diagram mungfali - Nov 30 2022

web 2001 ford focus coolant system diagram diagram resource gallery similar 2015 ford focus st 4 cyl 2l evaporator heater components similar 35 2003 ford focus cooling system diagram diagram resource 2022 similar 2001 ford focus coolant system diagram wiring diagram similar

**2004 ford focus engine cooling fans additives hoses carid com** - Jun 06 2023

web ford focus 2004 engine coolant reservoir by trq if your engine coolant reservoir has failed replace it with this high quality one from trq developed to fit and function exactly as the oem component it provides reliable performance

**ford focus air conditioning diagram diagraminfo** - Jul 07 2023

web oct 19 2022 if you re looking for a ford focus air conditioning diagram you ve come to the right place here at ford parts online we have a great selection of diagrams for all your focus needs whether you need a diagram for the air conditioning system itself or for the engine cooling system we ve got you covered

**ford focus service manual engine cooling description and operation** - Oct 10 2023

web the cooling system consists of the radiator cooling fan motor and shroud coolant expansion tank radiator drain valve coolant pump thermostat housing block heater if equipped engine coolant provides freeze protection boil protection cooling efficiency and corrosion protection to the engine and cooling components

ford workshop service and repair manuals focus l4 - May 05 2023

web focus l4 2 0l dohc vin 3 2002 ford workshop service and repair manuals engine cooling and exhaust cooling system engine coolant temperature sensor switch cylinder head temperature cht sensor engine temperature sensor component information diagrams diagram information and instructions

**how to check coolant level 00 04 ford focus youtube** - Jun 25 2022

web nov 27 2018 the video is applicable to the 01 ford focusthis p for more info visit us at 1aau to h xv in the video 1a auto shows how to check the coolant level

how to bleed burp the cooling system focus fanatics forum - Jul 27 2022

web jun 19 2009 the fan should come on you should also check the fan relays and the fan fuses check your owner s manual

for the location of these relays and fuses if you have a digital multimeter you can check the fans themselves by unplugging the the fan connector and testing between the two pins on the cooling fan

**how to replace coolant inlet tube 00 04 ford focus youtube** - Apr 04 2023

web jul 23 2019 buy now new coolant inlet tube from 1aauto com 1aau to ia 1ahcx00274in this video 1a auto shows how to replace a cracked broken or leaking coolant

**2004 ford focus owner manuals** - Oct 30 2022

web 28 the vehicle s electrical system including the battery the wireless service provider s signal and a connected mobile phone must all be available and operating for 911 assist to function properly these systems may become damaged in a crash  
*ford focus diagram cooling system* - Apr 23 2022

web apr 24 2017 ford yszba genuine oem gasket source c b windstar electrical woes ford sonline on ford focus cooling system diagram ford focus diagram cooling system note make sure that the in car heater temperature control is in the hot position and the heater blower switch is in the off position ford focus diagram cooling

**ford focus service manual pdf lighting ignition system** - Aug 28 2022

web positions or operating conditions follow the name descriptions of the internals of the component e g speed sensor are also included here 264488671 ford focus service manual free ebook download as pdf file pdf text file txt or read book online for free manual de focus ford 2010

**cooling fan ford focus se 2004 system wiring diagrams** - Sep 09 2023

web apr 11 2020 get access all wiring diagrams car 2 3l cooling fan wiring diagram cooling fan 2 0l 2 0l cooling fan wiring diagram except svt 2 0l cooling fan wiring diagram svt 2 3l 2 3l cooling fan wiring diagram cooling fan ford focus se 2004 system wiring diagrams

ford focus owner s manual pdf download manualslib - Feb 02 2023

web page 133 cooling fan 2 0l engine only air pump motor cooling fan 2 2 0l engine only engine cooling fan a c 1st fuse main power supply to electrical system ignition switch starter engine management 2004 focus foc owners guide

*how to troubleshoot the cooling system in a ford focus* - Mar 03 2023

web your ford focus engine cooling system plays an integral role in your car s proper functioning if any aspect of the engine cooling system fails then your car may overheat when this happens you ll need to go into troubleshooting mode to diagnose and fix the problem determine if your coolant levels are

*focus cooling diagram board* - Feb 19 2022

web dec 4 2022 cooling system pipes and hoses ford focus 04 08 c max 03 07 cap ford focus mk3 radium engineering coolant tank kit automotive performance products wiring diagram

**the art of thinking clearly harpercollins** - Nov 12 2022

web may 6 2014 the art of thinking clearly by world class thinker and entrepreneur rolf dobelli is an eye opening look at human psychology and reasoning essential reading for anyone who wants to avoid cognitive errors and make better choices in

**the art of thinking clearly better by dobelli rolf** - May 06 2022

web the art of thinking clearly by rolf dobelli took 10 days to arrive it is hardback but thick paperback sized 326 pages made up of 99 chapters each of two to three pages originally the text was written as a series short magazine articles so this is in effect a bound collection all in one place

the art of thinking clearly rolf dobelli google books - Mar 16 2023

web may 6 2014 the art of thinking clearly rolf dobelli harper collins may 6 2014 psychology 384 pages a world class thinker counts the 100 ways in which humans behave irrationally showing us what we

the art of thinking clearly by rolf dobelli goodreads - Sep 22 2023

web jan 1 2011 die kunst des klaren denkens the art of thinking clearly rolf dobelli the art of thinking clearly is a 2013 book by the swiss writer rolf dobelli which describes in short chapters 99 of the most common thinking errors ranging from cognitive biases to elements like envy and social distortions

*the art of thinking clearly better thinking better decisions goodreads* - May 18 2023

web aug 4 2019 already an international bestseller the art of thinking clearly is essential reading for anyone with important decisions to make it reveals in 100 short chapters the most common errors of judgement and how to avoid them

**art of thinking the a guide to critical and creative thought** - Sep 10 2022

web jan 23 2014 the art of thinking introduces students to the principles and techniques of critical thinking taking them step by step through the problem solving process emphasizing creative and active thought processes the author asserts that good thinking and problem solving is based on learnable strategies

art thinking or the importance of inventing point b - Mar 04 2022

web jul 25 2016 art thinking is a process not of going from point a to point b as well as possible but inventing point b in the long run success in business and in almost any area of life requires you

*the art of thinking project gutenber australia* - Apr 05 2022

web the art of thinking is the art of being one s self and this art can only be learned if one is by one s self society only produces social thoughts vulgo slogans that is to say words but words endowed with the power of a command solitude produces an exhilaration of consciousness the consciousness of our innermost whatever that may be

**the art of thinking the nature institute** - Dec 13 2022

web the art of thinking helping students develop their faculties of thinking and observation craig holdrege the ability to question lies at the root of thinking when we truly think and don't just mimic what another person tells us the activity arises out of questions

[the art of thinking by ernest dimnet goodreads](#) - Jul 20 2023

web ernest dimnet 1866 1954 french priest writer and lecturer is the author of the art of thinking a popular book on thinking and reasoning during the 1930s born in france he moved to the united states after the first world war

**the art of thinking clearly amazon sg books** - Aug 21 2023

web the art of thinking clearly by world class thinker and entrepreneur rolf dobelli is an eye opening look at human psychology and reasoning essential reading for anyone who wants to avoid cognitive errors and make better choices in all aspects of their lives

**the art of thinking clearly book review mind about matters** - Aug 09 2022

web aug 21 2021 the art of thinking clearly putting unrealized errors in plain sight consider a few scenarios have you invested your first a word on bias broadly when we think of the word bias we immediately think of a strong feeling towards easy to read easy to understand and something for

[art of thinking the a guide to critical and creative thought](#) - Feb 15 2023

web feb 23 2015 art of thinking the a guide to critical thought 11th edition select an access option paperback loose leaf 74 66 paperback 106 66 art of thinking the a guide to critical and creative thought isbn 13

**the art of thinking clearly summary blinkist** - Jun 07 2022

web the art of thinking clearly aims to illuminate our day to day thinking hiccups so that we can better avoid them and start making improved choices using both psychological studies and everyday examples the author provides us with an entertaining collection of all of our most common fallacies

*the art of thinking clearly wikipedia* - Jun 19 2023

web the art of thinking clearly is a 2013 book by the swiss writer rolf dobelli which describes in short chapters 99 of the most common thinking errors ranging from cognitive biases to envy and social distortions the book was written as weekly columns in leading newspapers in germany the netherlands and switzerland and later in

*the art of thinking google books* - Jan 14 2023

web feb 5 2002 the art of thinking will expand your repertoire of strategies for asking questions making decisions getting along with people and solving problems by learning why you think the way you do and gaining surprising new insight into the thinking styles of others you'll be able to get past obstacles turn conflict into cooperation and enjoy

**the art of thinking clearly by dobelli rolf amazon com** - Jul 08 2022

web may 6 2014 the art of thinking clearly by world class thinker and entrepreneur rolf dobelli is an eye opening look at human psychology and reasoning essential reading for anyone who wants to avoid cognitive errors and make better choices in

**the art of thinking amazon com** - Oct 11 2022

web may 23 2017 the art of thinking paperback may 23 2017 dimnet s classic on the art of thinking is here finally back in print it provides the most useful tips and advice on how to improve one s mind improve concentration and thinking better and even answers some timeless and all important questions such as how do i be myself and how

**the art of thinking a guide to critical and creative thought goodreads** - Apr 17 2023

web nov 1 1987 the art of thinking is a comprehensive guide to critical and creative thinking that emphasizes what to do rather than what to avoid doing this text introduces students to the principles and techniques of creative thinking teaches them how to evaluate their own ideas as well as the ideas of others and shows them how to persuade

*the art of thinking a guide to critical and creative thought* - Oct 23 2023

web the art of thinking a guide to critical and creative thought by ruggiero vincent ryan publication date 2012 topics logic reasoning thought and thinking publisher boston pearson learning solutions

hello mornings study of ezra the dwelling place of god - Feb 26 2022

web our newest hello mornings study is a 6 week study of the books of ezra and haggai that highlights the fact that our gracious god longs to dwell among us it s through his empowering indwelling presence that we are able to live a life of worshipful obedience glorify god and share christ with those around us

ezra 6 resources from ligonier ministries - Dec 07 2022

web ezra 6 genesis exodus leviticus numbers deuteronomy joshua judges ruth 1 samuel 2 samuel 1 kings 2 kings 1 chronicles 2 chronicles ezra nehemiah

**ezra 6 discussion questions app oaklandlibrary org** - Apr 30 2022

web ezra 6 discussion questions downloaded from app oaklandlibrary org by guest brock barker bible lesson commentary 2009 10 simon and schuster a funny heart hammering wise the new york times best selling portrait of a family that will remind you why to read a novel by anne tyler is to

**good questions have groups talking ezra bible study lessons** - Aug 03 2022

web the book of ezra relates the story of two returns from babylon the first led by zerubbabel to rebuild the temple 1 6 and the second under the leadership of ezra to rebuild the spiritual condition of the people 7 10 between these two accounts stretches a gap of nearly six decades during which esther lives and rules as queen of persia

*study guide for ezra 6 by david guzik blue letter bible* - Jun 13 2023

web a darius responds to the request of the governor tattenai 1 ezra 6 1 2 a diligent search for the decree of cyrus then king darius issued a decree and a search was made in the archives where the treasures were stored in babylon and at achmetha in the palace that is in the province of media a scroll was found and in it a record was

*ezra 6 wikipedia* - Mar 30 2022

web ezra 6 is the sixth chapter of the book of ezra in the old testament of the christian bible or the book of ezra nehemiah in the hebrew bible which treats the book of ezra and book of nehemiah as one book jewish tradition states that ezra is the author of ezra nehemiah as well as the book of chronicles but modern scholars generally accept that a compiler

*studying ezra 6 13 22 matters of interpretation* - May 12 2023

web mar 17 2022 just the opposite we ll get a whiff of that in our reading which mentions separating from the pollutions of the people of the land that foreshadows some of the content of ezra 9 and 10 the episode of separating some of the returnees from their foreign wives and families

**ezra review questions doing good** - Jul 14 2023

web ezra review questions 1 2 3 4 5 6 7 8 9 10 to read or listen to the portion of scripture online click here in the top box type the book of the bible and the chapter e g ez 8 also select the version and then click the search the bible button for the ot only the kjv and niv versions have voice available in real player

**tgc course knowing the bible ezra and nehemiah** - Nov 06 2022

web compare ezra 6 16 18 with 1 kings 8 62 66 to find ways in which the dedication of the rebuilt temple recalls the dedication of the first one under king solomon what do the various parts of this ceremony in ezra 6 16 18 in effect declare before god finally they celebrate the feast of passover vv 19 22

**ezra 6 bible study and commentary for small groups** - Aug 15 2023

web this ezra 6 bible study guide contains an outline cross references bible study discussion questions verse by verse commentary and applications visit our library of inductive bible studies for more in depth inductive studies on this and other books of the bible you can use in your small group

*ezra 6 bible org* - Jan 08 2023

web discussion questions this is a study guide commentary which means that you are responsible for your own interpretation of the bible each of us must walk in the light we have you the bible and the holy spirit are priority in interpretation you must not relinquish this to a commentator

**lesson 6 god the cause of our joy ezra 6 1 22 bible org** - Mar 10 2023

web jul 31 2013 the joy that god imparts to his people is the theme of ezra 6 the chapter begins with the outcome in question the work on rebuilding the temple had stopped for 16 years due to opposition from the people in the land then

under the ministries of the prophets haggai and zechariah the work resumed

[study guide ezra](#) - Jan 28 2022

web the book of ezra isn't just a story it is history chronicling the lives of real people and real events before we dive into our study we will gather info for

**ezra 6 decree of darius episode 616 the bible study podcast** - Sep 04 2022

web jul 18 2019 this is the episode is part 6 in a study of the book of ezra the people of judah and the governor receive a reply from darius ii that the temple should be completed the temple is completed and dedicated and passover is celebrated click here to download mp3 author chris2x posted on july 18 2019

**ezra nehemiah esther bible study lessons** - Feb 09 2023

web assignments on ezra 6 please read ezra 6 and answer the following questions 1 what did darius do when he received tattenai's letter cf chap 5 where did he find the answer he sought 6 1 2 2 how was the construction of the temple described 6 3 4 3 how was the work financed what did cyrus send to help 6 5 4

**ezra bible study guide 9 online lessons with questions** - Oct 05 2022

web each one of our 9 bible study lessons on the book of ezra contains helpful verse by verse commentary an outline discovery questions to stimulate discussion cross references for digging into the word and practical application to encourage life change

**ezra 6 the warehouse bible commentary by chapter** - Jun 01 2022

web may 30 2020 ezra 6 commentary by hank workman it's almost like a footnote as a refresher of the story the people surrounding were having a fit because the temple of god was being rebuilt in jerusalem as their tactics of intimidation and fear certainly played upon the israelites they still had the obstacle of having the reconstruction stopped in its

[ezra chapter 6 discussion king james bible online](#) - Dec 27 2021

web 9 years ago enoch on ezra 6 honestly ezra unique he is a priest with a difference not only is he holy but learned and very courageous he relied completely on god for sustenance protection and direction even at the peril of his life knows how to appeal to the conscience of people he led the way and others followed

[international bible lessons commentary ezra 6 13 22](#) - Apr 11 2023

web study hints for thinking further discuss the five questions below to help with class preparation and in conducting class discussion these hints are available on the international bible lessons commentary website for additional international bible lesson commentaries see the complete and comprehensive

**ezra 6 bible study finishing what you start iheart** - Jul 02 2022

web tune in to find out and to learn how we can also be motivated to finish the race we are running today bible study of ezra

6 with discussion questions for small group study studyandobey com inductive bible study ezra studies ezra6 750 practical and free bible studies studyandobey com 20 bible study guide e books for